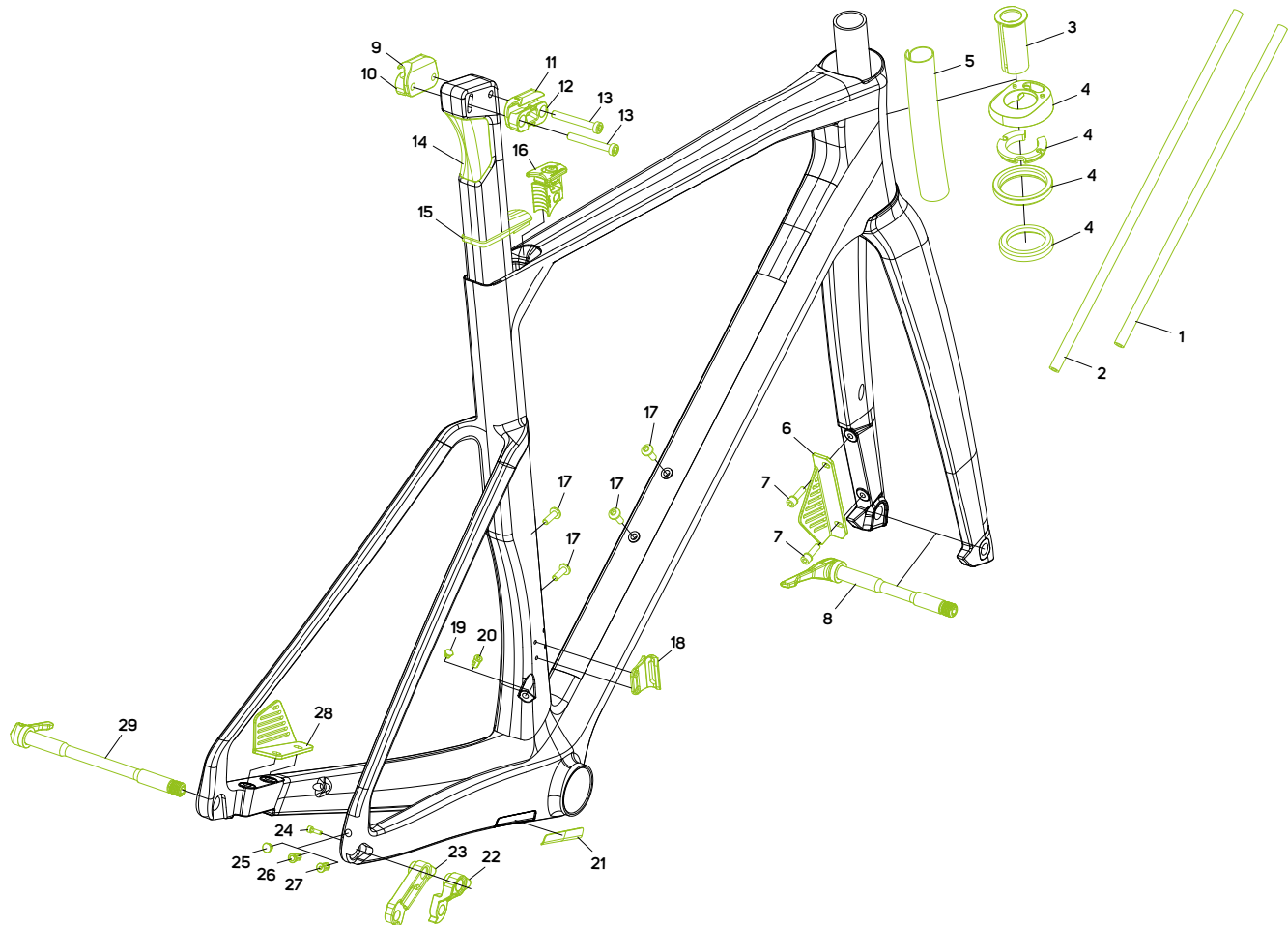


# FRAME SPARE PARTS REACTO CF IV

from MY2021  
Updated table



No.	Item No.	Item	Detail information	Pieces	Torque Nm	No.	Item No.	Item	Detail information	Pieces	Torque Nm
1	A2029000035	TUBE	foam; ID6mm L350mm	1		14a	A2128000052	COVER	for S-FLEX seatpost; with LED light	1	
2	A2029000028	TUBE	foam; ID5mm L400mm	1		14b	A2029000081	COVER	for S-FLEX seatpost, w/o light	1	
3	A2054000107	EXPANDER	for fork steerer ID 23.6mm	1		15	A2347000024	COVER	for seatpost clamp	1	
4	A2191000187	HEADSET	FSA NO.55R 1.5"/ACR/STD (TH-MR127, TH-MR168)	1		16	A2247000084	CLAMP	for seatpost	1	5-6
5	A2029000055	TUBE	woven; L40mm for size XXS/XS	1		17	A2298000059	SCREW	M5x0.8 L15mm	4	3-4
5	A2029000056	TUBE	woven; L60mm for size S	1		18	A2136000053	MOUNT	for FD	1	
5	A2029000057	TUBE	woven; L70mm for size M	1		19	A2143000130	BLIND PLUG		1	
5	A2029000058	TUBE	woven; L90mm for size L	1		20	A2143000095	CABLE PLUG	for Di2	1	
5	A2029000059	TUBE	woven; L105mm for size XL	1		21	A2322000034	PROTECTOR	for chain stay	1	
6	A2164000060	DISC COOLER	front; for FM160/FM180	1		22	A2311000104	RD HANGER	DH-068 for ROAD-RD	1	
7	A2298000265	SCREW	M5x0.8 L16mm	2	6-8	23	A2311000103	RD HANGER	DH-067 for SHIMANO direct mount	1	
8	A2002000103	THRU AXLE	EXPERT SL; L=120mm M12x1.5 TL=12mm	1		24	A2300000129	SCREW	M3x0.5 L10mm	1	2-4
9	A2248000035	CLAMP	for saddle rail; left inner part	1		25	A2143000131	BLIND PLUG		1	
10	A2248000031	CLAMP	for saddle rail; left outer part	1		26	A2143000082	CABLE PLUG	for mechanical	1	
11	A2248000034	CLAMP	for saddle rail; right inner part	1		27	A2143000121	CABLE PLUG	for Di2	1	
12	A2248000030	CLAMP	for saddle rail; right outer part	1		28	A2164000061	DISC COOLER	rear; for FM140/FM160	1	
13	A2300000259	SCREW	M6x1 L45mm	2	10-12	29	A2002000152	THRU AXLE	EXPERT SL; L=162.5mm M12x1.5 TL=12mm	1	